



EN 2010 / 2011

# Lifting clamps





### Design

- Compact design and a low own weight.
- Use of top quality steel for housing, lifting shackle, cam and pivot guarantees a high level of usage and a long life.

### Quality

- Very good quality and finish.
- Usage of "Exotic" steel for cam and pivot.
- Simple construction, therefore easy to repair.
- All lifting clamps are tested on our own testing facilities upto 2 times its Safe Working Load (SWL).
- Each clamp is supplied with a test certificate.



### General

- Always read the manual before using a clamp.
- The lifting clamps are suitable for lifting and transporting of steel plates with a maximum hardness of 37 HRC (345 HB, 1166 N/mm<sup>2</sup>).
- The lifting clamps are suitable for usage in normal atmospheric conditions, between -40°C and +100°C.
- Never overload a clamp and prevent the jerking of loads.
- When loading always use the whole jaw depth.
- Never lift more than one plate at the same time.
- Always keep your distance during lifting and descending of a load.
- Prevent situations that anybody is under the load.
- Any welding to the clamp is forbidden, this can influence the hardness and toughness of the clamp.



### Delivery

- All lifting clamps are supplied with an original certificate.
- All lifting clamps conform to European Standards according to Machine Directive 2006/42/EC.
- All lifting clamps have been approved after stringent test by Government Safety Authorities (No. AI: 2753A).



### Terrier Lifting Clamps BV

Ohmweg 11  
4338 PV Middelburg  
P.O. box 8119  
4330 EC Middelburg  
The Netherlands  
T (+31) 118 65 17 17  
F (+31) 118 65 17 18  
I [www.terrierclamps.com](http://www.terrierclamps.com)  
E [terrier@terrierclamps.com](mailto:terrier@terrierclamps.com)

### Terrier Lifting Clamps North America

P.O. box 436521  
Louisville, KY 40253-6521  
The United States of America  
Phone: (+1)502.819.1241  
Fax: (+1)502.354.0421  
[salesusa@terrierclamps.com](mailto:salesusa@terrierclamps.com)



# 5 Year Warranty

Terrier Lifting Clamps provides a 5 year warranty on its lifting clamps. This warranty is applicable to the original end user of the lifting clamps. Only if the clamp has been inspected, checked and maintained by this instructions and by an official dealer. This warranty period of 5 years is valid from the day of purchase, and is liable to all conditions and measurements stated in this document.

## 1. Conditions

This warranty only covers failures in the lifting tools which is the consequence of production errors which occur during normal use. The warranty covers no wear to components such as pivots, cam assemblies, lock springs etc. Should there be any kind of failure within this guarantee period, the lifting tool will be replaced or repaired to insight of the producer.

No warranty is given to clamps due to the following failures:

- Regular wear
- Overload
- Wrong and/or carelessly use
- Damages
- Not following procedures and measures
- Hoisting differing material other then indicated on clamp or stated in the user-manual
- Adapting and/or modifying of the Terrier clamp
- The injudicious use of the clamp, and not succeeding all indications which are stated in the users manual
- When maintenance and/or revision has not been carried out by an authorised Terrier distributor

The producer is not responsible for incidental damage or damage due to use of the lifting tools as well as from violation of this guarantee manual.

## 2. Procedure Safety Inspection

All inspections and repairs must be written down in the maintenance diagram.

This counts not only for your own inspections but also for inspections which are carried out by your authorised Terrier distributor. When the clamp is handed in for maintenance and inspection you always must provide the maintenance diagram.

### Defective Lifting Clamps

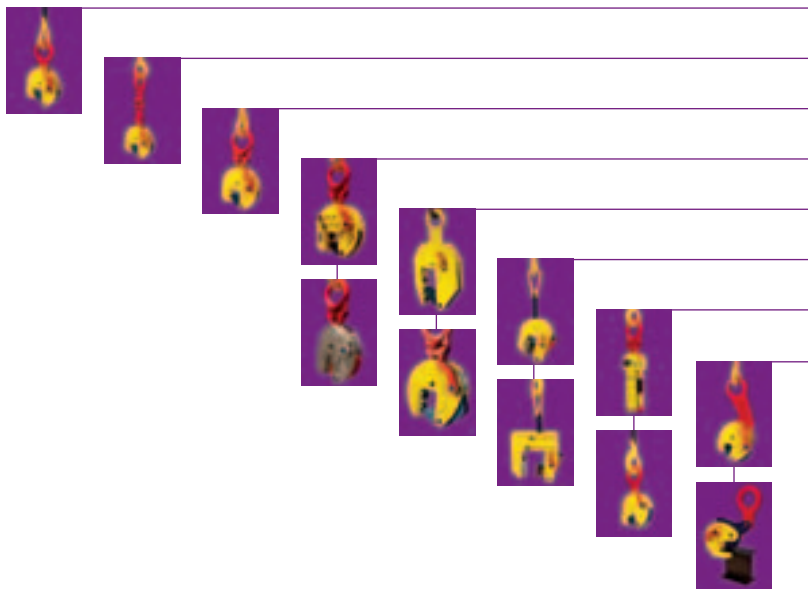
When a form of wear or damage is indicated, you must take the following measures.

- 1 Take the lifting clamp out of use. (Note the date of failure of the lifting clamp)
- 2 Try to recover the cause of the failure, for example (complete list is available in chapter 1):
  - Overload
  - Wrong and/or carelessly use
  - etc

These claims stated in no.2 do not fall under the guarantee! To guarantee the security of you and your colleagues you are obliged to follow up this procedure.

3 Return your lifting clamp (with the maintenance history) to your authorised Terrier distributor.

4 If the lifting clamp has been revised / repaired by your distributor, you can safely use your clamp again. Please note this date in your maintenance chart.



## Vertical clamps

TS / STS vertical clamps	5
TSMP / STSMP vertical clamps	6
TSU / STSU vertical clamps	7
TSEU-A / TSU-R vertical clamps	8
TSHP / TSHPU vertical clamps	9
TNMK / TNMKA vertical clamps	10
TCK / TJP vertical clamps	11
FBK / TOBK vertical clamps	16



## Horizontal clamps

FHX / FHSX horizontal clamps	12
TDH horizontal clamps	13
THSK horizontal clamps	14
FHX-V / TNMH horizontal clamps	15
TPH horizontal clamps	19



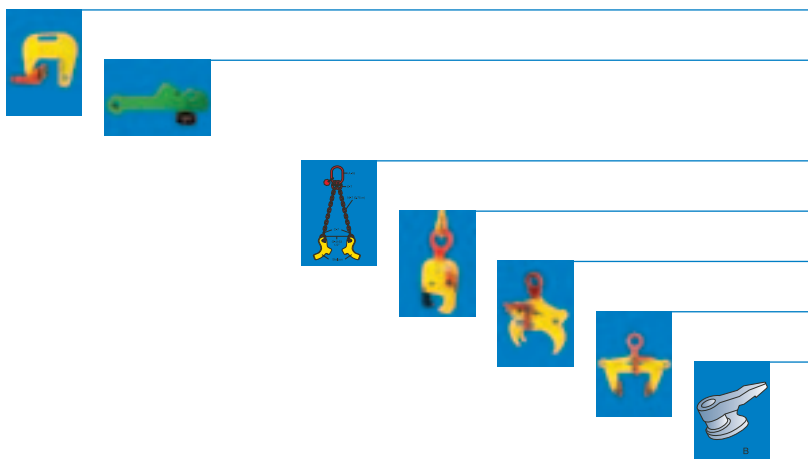
## Screw clamps

FSV / FSVW screw clamps	17
TSCC screw clamps	18
TBS screw clamps shipbuilding	18



## Drum clamps

TVK / TVKH drum clamps	21
------------------------	----



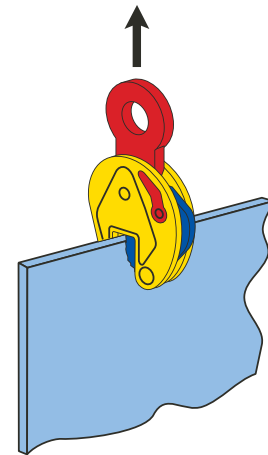
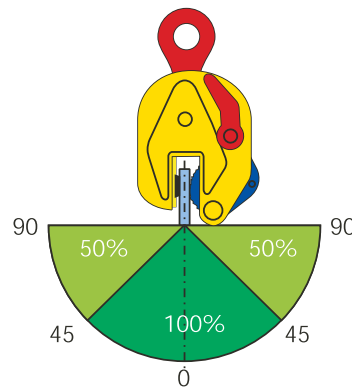
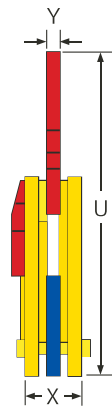
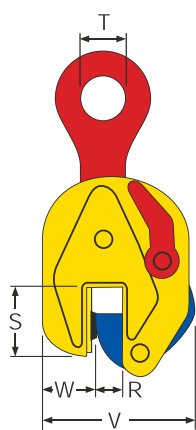
## Miscellaneous

TBC pipe lifting clamps	20
Vertical clamps with an extra hardened pivot and cam	22
Stelcon platehooks	23
TRC	23
TTL	24
TBLC	24
Spare parts	25
Safely lifting	26

## Vertical clamps

# TS/STS

- For vertical lifting and transporting of steel plates and structures.
- The TS/STS lifting clamps are equipped with a safety mechanism, ensuring the clamp does not slip when lifting force is applied and when load is being lowered.
- The clamp is locked in closed as well as in open position.
- Lifting capacity and jaw opening are clearly engraved in the body.
- Type STS are supplied with enlarged jaw opening.
- Minimum w.l.l. is 10 % of the maximum w.l.l.

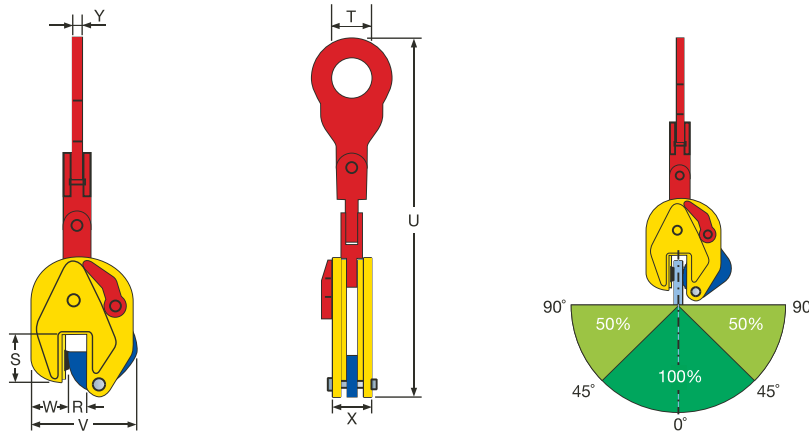


Ref. nr.	Type	Capacity (kg)	Jaw-opening (R) (mm)	Dimensions in mm							Weight (kg)
				S	T	U	V	W	X	Y	
850000	0.75 TS	750	0 - 13	47	30	205	100	35	37	10	1,5
850800	1 TS	1000	0 - 18	55	45	265	125	38	47	15	3,3
850880	1 TSE	1000	0 - 25	55	45	265	142	38	47	15	3,6
850100	1.5 TS	1500	0 - 20	80	65	335	165	55	56	17	6,3
850901	2 TSE	2000	0 - 35	80	65	335	185	55	56	17	6,5
850331	3 TSE	3000	0 - 35	80	65	335	185	55	56	17	6,7
850441	4.5 TS	4500	0 - 25	85	70	430	200	60	77	20	14,8
850451	4.5 TSE	4500	0 - 45	85	70	430	230	60	77	20	15,9
850301	6 TS	6000	0 - 32	114	75	490	225	78	78	20	18,6
850401	7.5 TS	7500	0 - 40	112	75	530	245	76	86	20	24
851501	7.5 TSE	7500	0 - 55	112	75	530	267	70	86	20	25
851551	9 TS	9000	0 - 55	112	75	530	267	70	86	20	26
850501	12 TS	12000	0 - 52	148	85	617	295	100	94	44	42
850601	15 TS	15000	0 - 76	159	86	760	375	135	105	50	71
850605	17 TS	17000	0 - 76	159	86	760	375	135	105	50	71
850700	20 TS	20000	0 - 80	195	100	880	465	150	140	66	140
850701	25 TS	25000	5 - 85	195	100	880	465	150	140	66	140
850721	30 TS	30000	10 - 90	195	100	880	465	145	140	66	145
852200	6 STS	6000	40 - 90	115	75	490	275	70	78	20	22
854300	7.5 STS	7500	50-100	110	75	525	315	70	82	20	26
853305	9 STS	9000	50-100	110	75	525	315	70	82	20	27
852401	12 STS	12000	50-100	153	86	615	345	100	94	44	46
852501	15 STS	15000	80-150	175	86	755	450	136	106	50	77
852600	20 STS	20000	80-150	185	100	875	640	153	140	66	145
852601	25 STS	25000	80-150	185	100	875	640	153	140	66	145
852721	30 STS	30000	80-150	185	100	880	640	153	155	62,5	148

## Vertical clamps

# TSMP/STSMP

- The Terrier lifting clamps TS and STS are also available in MP-version.
- MP-version means that the lifting shackle has a three way articulated linkage arrangement.
- For lifting and transporting of all steel plates and structures.
- When attached to a fixed load bearing arm (e.g. spreader bar) the clamp will retain its flexibility and no chain is needed.
- Due to length of the three way linkage arrangement the clamp can be lowered further between standing plates or structures.
- Lifting capacity and jaw opening are clearly engraved in the body.
- Type STSMP is supplied with an enlarged jaw opening.
- Minimum w.l.l. is 10 % of the maximum w.l.l.

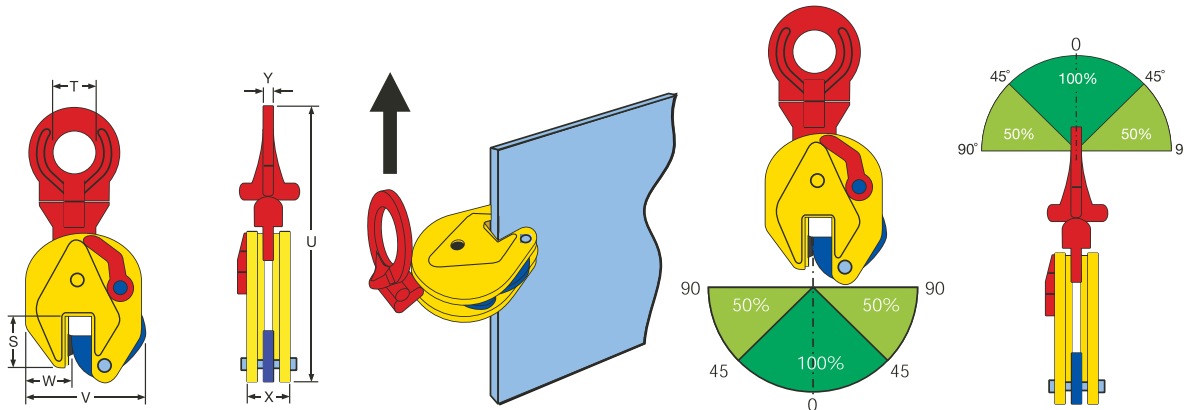


Ref. nr.	Type	Capacity (kg)	Jaw-opening (R) (mm)	Dimensions in mm							Weight (kg)
				S	T	U	V	W	X	Y	
850010	0.75 TSMP	750	0 - 13	47	30	310	100	35	37	10	2
850810	1 TSMP	1000	0 - 18	55	45	405	125	38	47	15	4,2
850818	1 TSEMP	1000	0 - 25	55	45	405	142	38	47	15	4,5
850110	1.5 TSMP	1500	0 - 20	80	65	515	165	55	56	17	7,6
850911	2 TSEMP	2000	0 - 35	80	65	515	185	55	56	17	7,7
850221	3 TSEMP	3000	0 - 35	80	65	515	185	55	56	17	8
850211	4.5 TSMP	4500	0 - 25	85	70	655	200	60	77	20	18,1
851401	4.5 TSEMP	4500	0 - 45	85	70	655	230	60	77	20	19,2
850311	6 TSMP	6000	0 - 32	114	75	760	225	78	78	20	22,8
850411	7.5 TSMP	7500	0 - 40	112	75	800	245	76	86	20	28
851510	7.5 TSEMP	7500	0 - 55	112	75	800	267	70	86	20	30
851515	9 TSMP	9000	0 - 55	112	75	800	267	70	86	20	32
850511	12 TSMP	12000	0 - 52	148	85	860	295	100	94	26	46
850611	15 TSMP	15000	0 - 76	159	86	980	373	136	106	50	79
851615	17 TSMP	17000	0 - 76	159	86	980	373	136	106	50	79
850710	20 TSMP	20000	0 - 80	195	100	1200	465	150	140	66	158
850711	25 TSMP	25000	5 - 85	195	100	1200	465	150	140	66	158
852210	6 STSMP	6000	40 - 90	115	75	760	275	70	78	20	24
854310	7.5 STSMP	7500	50-100	110	75	800	315	70	82	20	28
853315	9 STSMP	9000	50-100	110	75	800	315	70	82	20	30
852411	12 STSMP	12000	50-100	153	85	860	345	100	94	26	47
852511	15 STSMP	15000	80-150	175	90	980	450	136	106	50	82
852610	20 STSMP	20000	80-150	185	100	1200	640	153	140	66	161
852611	25 STSMP	25000	80-150	185	100	1200	640	153	140	66	161

## Vertical clamps

# TSU / STSU

- For lifting and transporting of steel plates and structures from all positions (horizontal, vertical and sidelong).
- Articulated lifting shackle.
- The TSU /STSU lifting clamps are equipped with a safety mechanism, ensuring the clamp does not slip when lifting force is applied and when load is being lowered.
- The clamp is locked in closed as well as in open position.
- Lifting capacity and jaw opening are clearly engraved in the body.
- Type STSU is supplied with enlarged jaw opening.
- Minimum w.l.l. is 10 % of the maximum w.l.l.

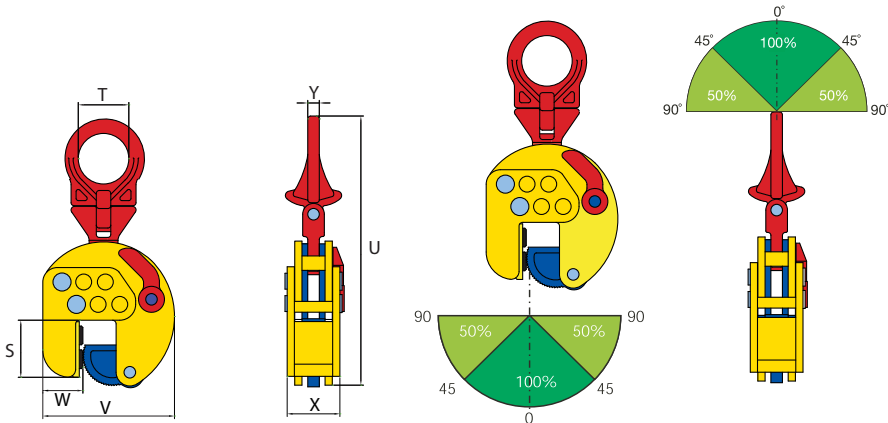


Ref. nr.	Type	Capacity (kg)	Jaw-opening (R) (mm)	Dimensions in mm							Weight (kg)
				S	T	U	V	W	X	Y	
855000	0.75 TSU	750	0 - 13	47	30	203	100	35	37	10	1,7
865100	1 TSU	1000	0 - 18	55	50	295	125	38	47	14	3,5
865800	1 TSEU	1000	0 - 25	55	50	295	142	38	47	14	3,9
855100	1.5 TSU	1500	0 - 20	80	70	370	165	55	56	16	7,2
855601	2 TSEU	2000	0 - 35	80	70	370	185	55	56	16	7,3
865331	3 TSEU	3000	0 - 35	80	70	370	185	55	56	16	8
865441	4.5 TSU	4500	0 - 25	85	70	430	200	60	77	20	15,6
865301	4,5 TSEU	4500	0 - 45	85	70	430	230	60	77	20	16,7
865401	6 TSU	6000	0 - 32	114	78	527	225	78	78	32	21
865601	7.5 TSU	7500	0 - 40	112	78	565	245	76	86	32	26
855400	7.5 TSEU	7500	0 - 55	112	78	565	267	70	86	32	30
855405	9 TSU	9000	0 - 55	112	78	565	267	70	86	45	30
865901	12 TSU	12000	0 - 52	148	85	650	295	100	94	48	42
865151	15 TSU	15000	0 - 76	159	85	765	373	136	106	48	75
865155	17 TSU	17000	0 - 76	159	85	765	373	136	106	48	77
865700	20 TSU	20000	0 - 80	195	100	900	465	150	140	71	145
865251	25 TSU	25000	5 - 85	195	100	900	465	150	140	71	148
865230	30 TSU	30000	10-90	195	100	900	465	145	140	71	150
856200	6 STSU	6000	40 - 90	115	75	527	275	70	78	20	24
856300	7.5 STSU	7500	50-100	110	75	565	315	70	82	20	28
855305	9 STSU	9000	50-100	110	75	565	315	70	82	20	28
856401	12 STSU	12000	50-100	153	86	650	345	100	94	44	45
856501	15 STSU	15000	80-150	175	86	765	450	136	106	50	80
856600	20 STSU	20000	80-150	185	100	900	640	153	140	66	150
856601	25 STSU	25000	80-150	185	100	900	640	153	140	66	150
856331	30 STSU	30000	80-150	185	100	900	640	153	155	62,5	155

## Vertical clamps

# TSEU-A

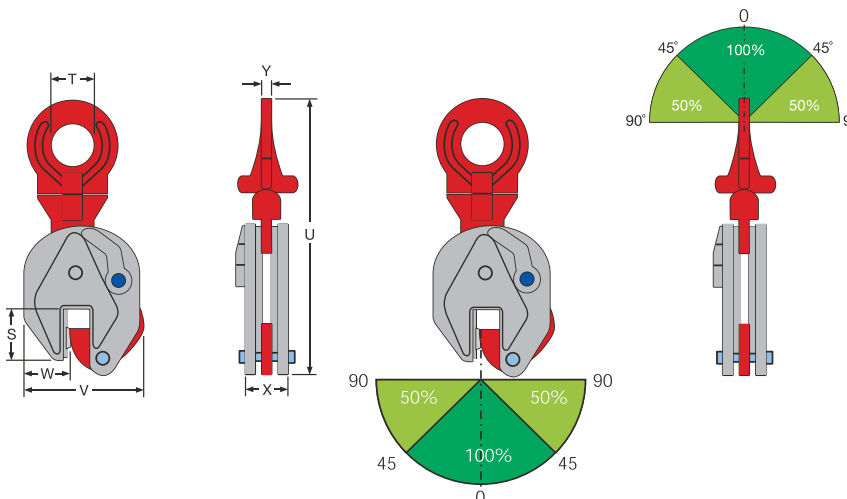
- Only 1 clamp needed for different kind of jobs.
- Also the same clamp can be used if a big jaw opening is necessary.
- For lifting and transporting of steel plates and structures from all positions.
- Jaw opening from 0 - 95 mm. Adjustable by steps of 30 mm.
- Capacity 3000 kg
- Strong and lightweight construction.



Ref. nr.	Type	Capacity (kg)	Jaw-opening (R) (mm)	Dimensions in mm							Weight (kg)
				S	T	U	V	W	X	Y	
863300	3 TSEU-A	3000	0 - 95	80	70	370	185-245	55	73	16	11

# TSU-R

- For lifting and transporting of stainless steel plates and structures a TSU-R lifting clamp is available.
- Pivot and cam are made of stainless steel.
- Body and lock lever are nickel plated to prevent corrosion due to carbon contamination.



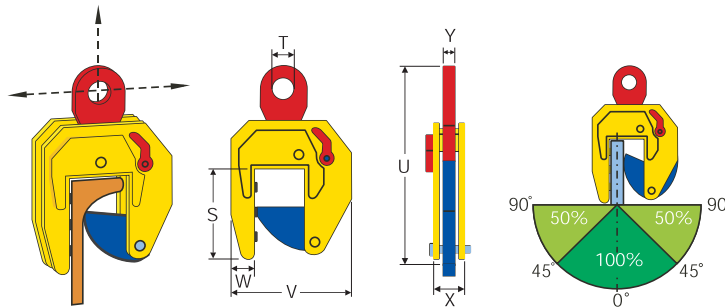
Ref. nr.	Type	Capacity (kg)	Jaw-opening (R) (mm)	Dimensions in mm							Weight (kg)
				S	T	U	V	W	X	Y	
862101	2 TSU-R	2000	0 - 20	80	70	370	165	55	56	16	7,2



## Vertical clamps

# TSHP

- For lifting and transporting of Holland-Profile (HP) and structures with HP-profile.
- Also useful as a "big-jaw" opening clamp.
- Standard with 3 pivots for extra powerful clamping force.
- The Terrier TSHP lifting clamps are equipped with a safety mechanism, ensuring the clamp does not slip when lifting force is applied and when load is being lowered.
- The clamp is locked in closed as well as in open position.



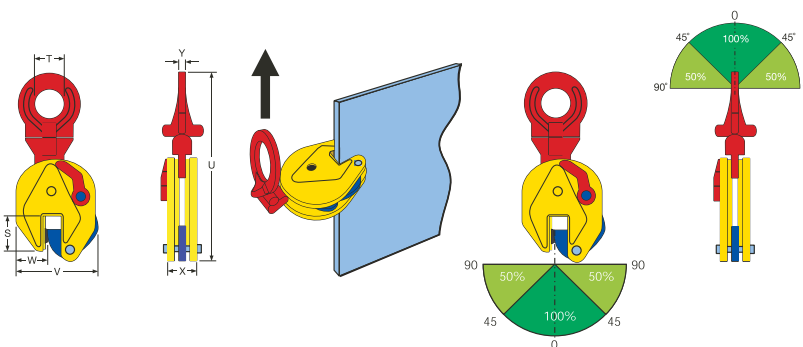
Ref. nr.	Type	Capacity (kg)	Jaw-opening (R) (mm)	Dimensions in mm							Weight (kg)
				S	T	U	V	W	X	Y	
860110	1 TSHP	1000	0 - 80	205	70	520	280	66	64	16	19,5
860111	1.5 TSHP	1500	0 - 80	205	70	520	280	66	64	16	20
860155	1.5 TSHP-A	1500	0 - 155	160	70	520	340	66	70	16	20

# TSHPU

TSHPU is a follow-up of the TSHP-1 and TSHP-1.5. It is especially designed for lifting, handling and transporting of HP-profile and construction with HP-profile.

### Properties

- capacity 3.0 tons. Opening 0 - 35 mm.
- capacity 5.0 tons. Opening 0 - 45 mm.

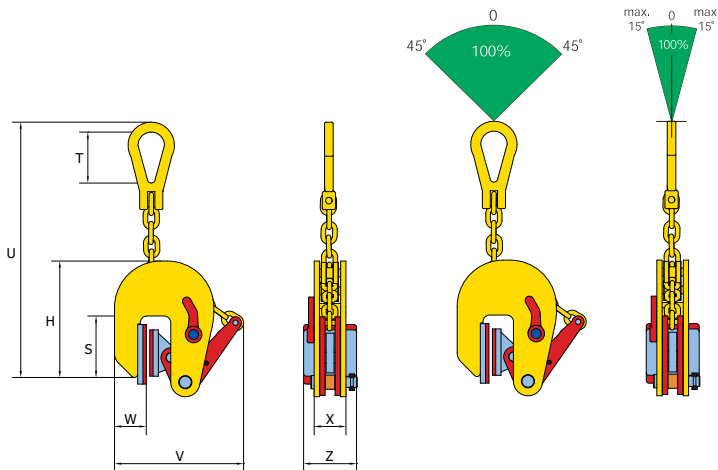


Ref. nr.	Type	Capacity (kg)	Jaw-opening (R) (mm)	Dimensions in mm							Weight (kg)
				S	T	U	V	W	X	Y	
860300	3 TSHPU	3000	0 - 35	90	70	370	185	55	54	16	15
860500	5 TSHPU	5000	0 - 45	110	70	435	225	60	86	20	19

## Vertical clamps

# TNMK/TNMKA

- TNMK is a NON-MARKING clamp with 2 special synthetic pads. The clamp can be used for lifting, handling and transporting (stainless) steel, aluminium, wood and marble plates.
- After lifting and handling, the clamps leave no markings.
- The clamp is locked in closed as well as in open position.

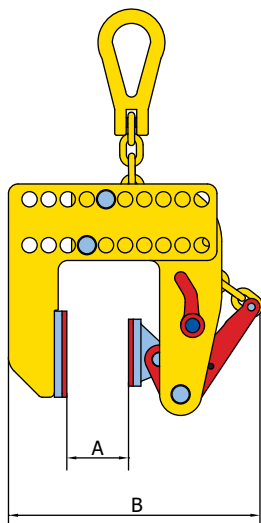


### TNMKA

A min. 1 mm/max. 180 mm

B min. 220 mm/max. 400 mm

Adjustable in steps of 20 mm.

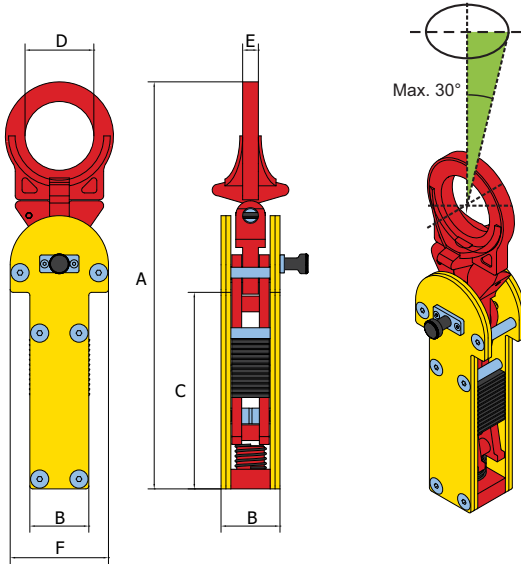


Ref. nr.	Type	Capacity (kg)	Jaw-opening (R) (mm)	Dimensions in mm								Weight (kg)
				H	S	T	U	V	W	X	Z	
862035	0.5 TNMK	500	1 - 20	200	93	65	360	220	48	48	80	5,5
862135	0.5 STNMK	500	17- 37	200	93	65	360	240	48	48	80	6
862005	0.5 TNMKA	500	1-180	223	143	65	360	220-340	60	66	80	10
862010	1 TNMK	1000	1 -30	235	95	80	400	275	46	54	80	6,5
862037	1.5 TNMK	1500	1 - 40	235	95	80	400	275	46	54	80	7,2
862038	2 TNMK	2000	1 - 50	360	120	100	710	406	63	65	80	14
862039	3 TNMK	3000	1 - 60	360	120	100	710	406	63	65	80	15

## Vertical clamps

# TCK

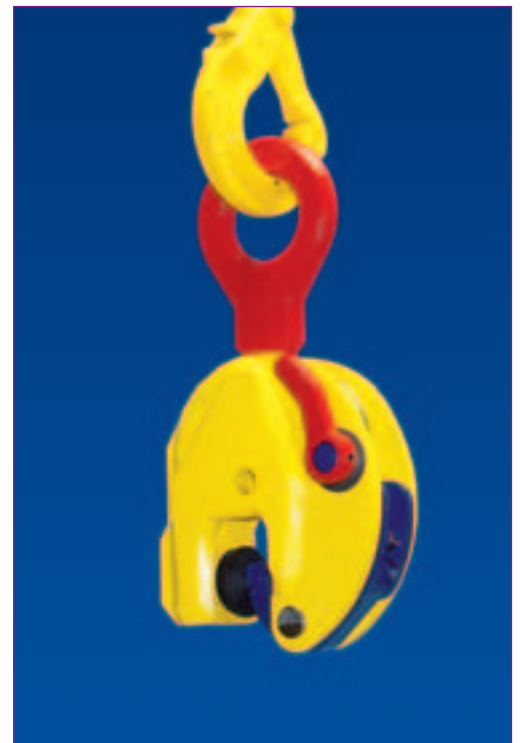
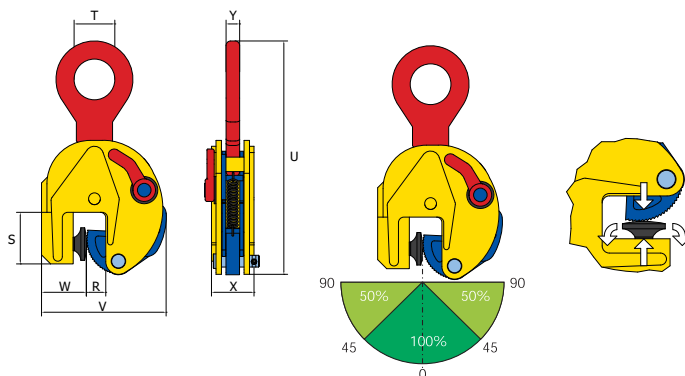
- For vertical lifting and transporting of structures where a square tube is used as a frame. For example mobile units etc.
- If the clamp is being loaded, the cams will pull out sideways and will grip into the sides of the square tube.
- Because of the compact design of the clamp, the clamp will not use more space than the dimensions of the square tube.
- The clamp is equipped with an universal lifting eye.
- Lifting capacity and jaw opening are clearly engraved in the body.



Ref. nr.	Type	Capacity (kg)	Jaw-opening (R) (mm)	Dimensions in mm						Weight (kg)
				A	B	C	D	E	F	
810000	3 TCK	3000	62 - 70	414	60	200	70	16	100	7

# TJP

- For vertical lifting and transporting of (thin) sheet metal.
- The TJP clamp is equipped with a special pivot, the special pivot will adapt itself to the load of the clamp. This will generate more friction which eliminates the chance of slipping loads.
- The TJP lifting clamp is equipped with a safety mechanism, ensuring the clamp does not slip when lifting force is applied and when load is being lowered.
- The clamp is locked in closed as well as in open position.
- Lifting capacity and jaw opening are clearly engraved in the body.

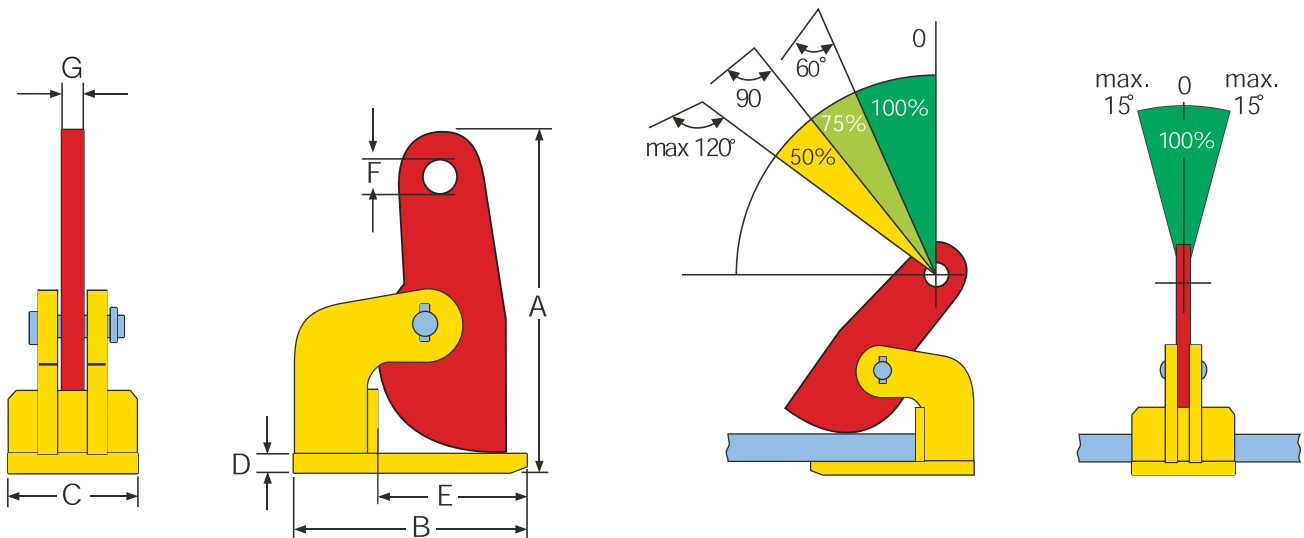
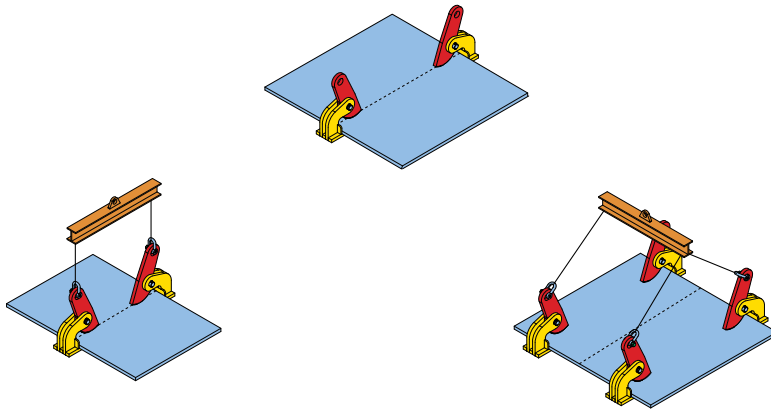


Ref. nr.	Type	Capacity (kg)	Jaw-opening (R) (mm)	Dimensions in mm							Weight (kg)
				S	T	U	V	W	X	Y	
870800	1 TJP	1000	0 - 20	57	45	258	138	50	47	15	4

## Horizontal clamps

# FHX/FHSX

- For horizontal lifting and transporting of steel plates.
- The compact shape and relative light own weight with a high lifting capacity.
- The Terrier FHX/FHSX lifting clamps must always be used in pairs (or multiples thereof).
- Lifting capacity and jaw opening are clearly engraved in the body.
- The FHS has an enlarged jaw opening.

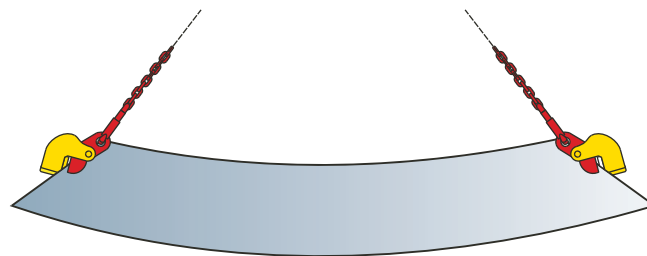
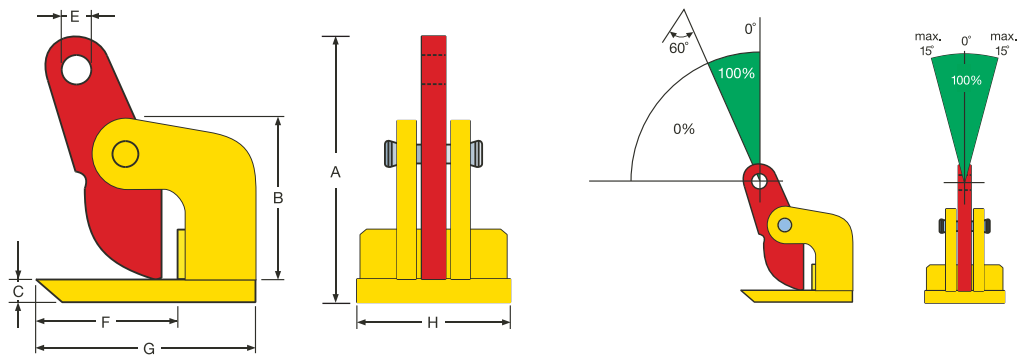


Ref. nr.	Tye	Capacity (kg/pair)	Jaw-opening (R) (mm)	Diemnsions in mm							Weight (kg/pc)
				A	B	C	D	E	F	G	
953100	1 FHX	1000	0 - 35	188	140	65	10	100	25	15	2,6
953200	2 FHX	2000	0 - 60	290	180	90	15	115	30,5	16	7,5
953300	3 FHX	3000	0 - 60	293	180	90	20	118	30,5	16	8
953400	4 FHX	4000	0 - 60	306	220	105	25	145	30,5	20	13
953600	6 FHX	6000	0 - 60	306	220	110	25	145	30,5	20	13
953800	8 FHX	8000	0 - 60	335	225	120	35	135	30,5	30	18
953010	10 FHX	10000	0 - 60	335	225	120	35	135	30,5	30	20
953012	12 FHX	12000	0 - 60	335	225	120	35	135	30,5	30	21
954200	2 FHSX	2000	0 - 100	380	180	90	15	120	30,5	15	9
954300	3 FHSX	3000	0 - 100	390	180	90	20	120	30,5	15	14
954400	4 FHSX	4000	0 - 100	415	220	105	25	145	30,5	20	15
954600	6 FHSX	6000	0 - 100	415	220	120	25	145	30,5	20	22
954800	8 FHSX	8000	0 - 100	430	225	120	35	135	30,5	30	22
954010	10 FHSX	10000	0 - 100	430	225	120	35	135	30,5	30	22
954012	12 FHSX	12000	0 - 100	430	225	120	35	135	30,5	30	22
853820	15 FHSX	15000	0 - 150	665	350	140	35	240	45	35	50

## Horizontal clamps

# TDH

- For lifting and transporting of thin sheets that deflect when being lifted.
- Compact shape and relatively low own weights, with a high lifting capacity.
- The Terrier TDH horizontal lifting clamps must always be used in pairs (or multiples thereof).

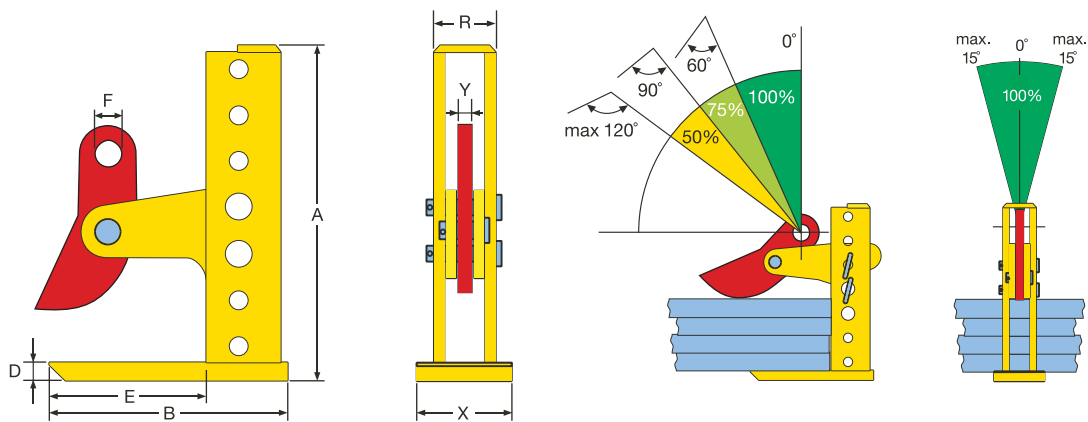


Ref. nr.	Type	Capacity (kg/pair)	Jaw-opening (R) (mm)	Dimensions in mm								Weight (kg/pc)
				A	B	C	E	F	G	H		
970100	1 TDH	1000	0 - 15	167	85	10	22,5	100	140	65	3	
970200	2 TDH	2000	0 - 35	235	135	20	26	115	180	80	8	
970400	4 TDH	4000	0 - 50	310	157	35	40	130	235	130	20	
970600	6 TDH	6000	0 - 50	310	157	35	40	130	235	130	20	

## Horizontal clamps

# THSK

- For lifting, handling and transporting of packages and single steel plates
- The Terrier THSK horizontal lifting clamps must always be used in pairs (or multiples thereof).
- Capacity 1.5 tons per pair upto 9 tons per pair.
- Opening 3 - 180 mm, 3 - 300 mm and 3 - 420 mm.

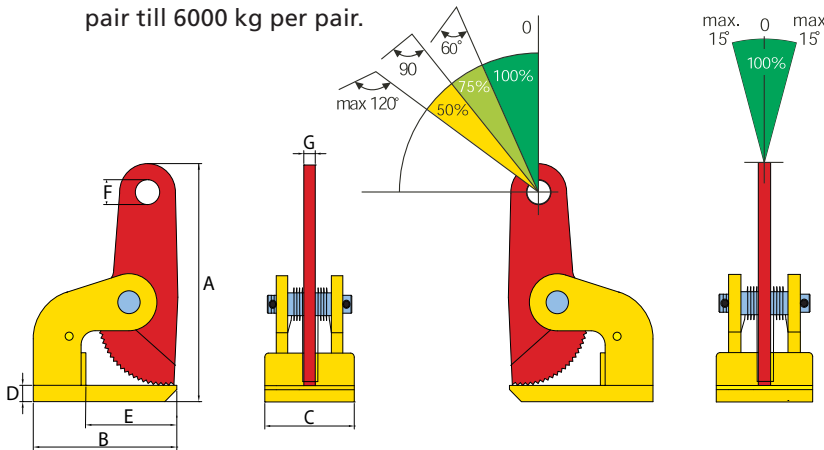


Ref. nr.	Type	Capacity (kg/pair)	Jaw-opening (R) (mm)	Dimensions in mm								Weight (kg/pc)
				A	B	D	E	F	R	X	Y	
815180	1.5 THSK/180	1500	3 - 180	290	200	15	135	30	60	90	20	9
815300	1.5 THSK/300	1500	3 - 300	410	200	15	135	30	60	90	20	11,5
830180	3 THSK/180	3000	3 - 180	300	235	20	165	30	70	105	20	14,5
830300	3 THSK/300	3000	3 - 300	410	235	20	165	30	70	105	20	13
845180	4.5 THSK/180	4500	3 - 180	300	235	20	165	30	70	105	20	13
845420	4.5 THSK/420	4500	3 - 420	535	235	20	170	30	70	105	20	15
860180	6 THSK/180	6000	3 - 180	305	250	25	160	30	90	120	20	20
860420	6 THSK/420	6000	3 - 420	540	250	25	165	30	90	120	20	23
890180	9 THSK/180	9000	3 - 180	305	250	25	160	30	90	120	20	25,5
890420	9 THSK/420	9000	3 - 420	540	250	25	165	30	90	120	20	29,5

## Horizontal clamps

# FHX-V

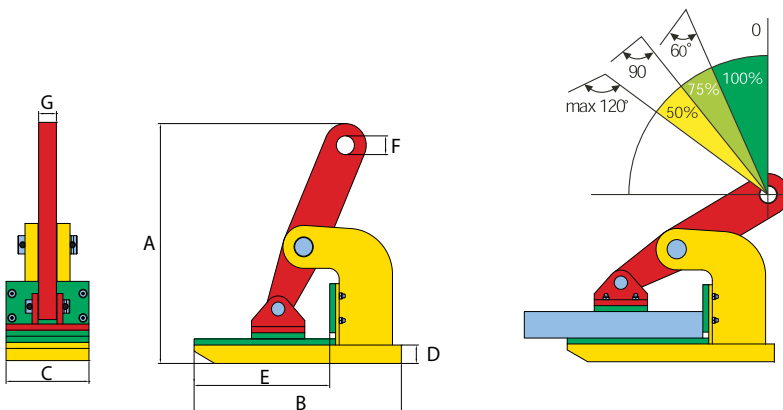
- The FHX-V Lifting clamp has a spring attached to the cam assembly. The spring makes sure that the clamp will be closed on any desired spot.
- One of the major advantages of this clamp is that only one person is able to place the clamps and to guide the hoist
- These clamps are available with a capacity from 1000 kg per pair till 6000 kg per pair.



Ref. nr.	Type	Capacity (kg/pair)	Jaw-opening (R) (mm)	Dimensions in mm							Weight (kg/pc)
				A	B	C	D	E	F	G	
953101	1 FHX-V	1000	0 - 35	193	140	85	10	100	25	15	3
953201	2 FHX-V	2000	0 - 60	290	180	125	15	115	30,5	16	9
953301	3 FHX-V	3000	0 - 60	293	180	125	20	115	30,5	16	10
953401	4 FHX-V	4000	0 - 60	310	220	165	30	140	30,5	20	15
953601	6 FHX-V	6000	0 - 60	310	220	165	30	140	30,5	20	15

# TNMH

- The TNMH lifting clamp is suited for transporting and lifting objects with a fragile surface. Like stainless steel, wood panels, aluminium etc.
- The jaw and cam is covered with a high quality pressure resistant fabric.
- These clamps are available with a capacity from 1000 kg per pair till 6000 kg per pair.

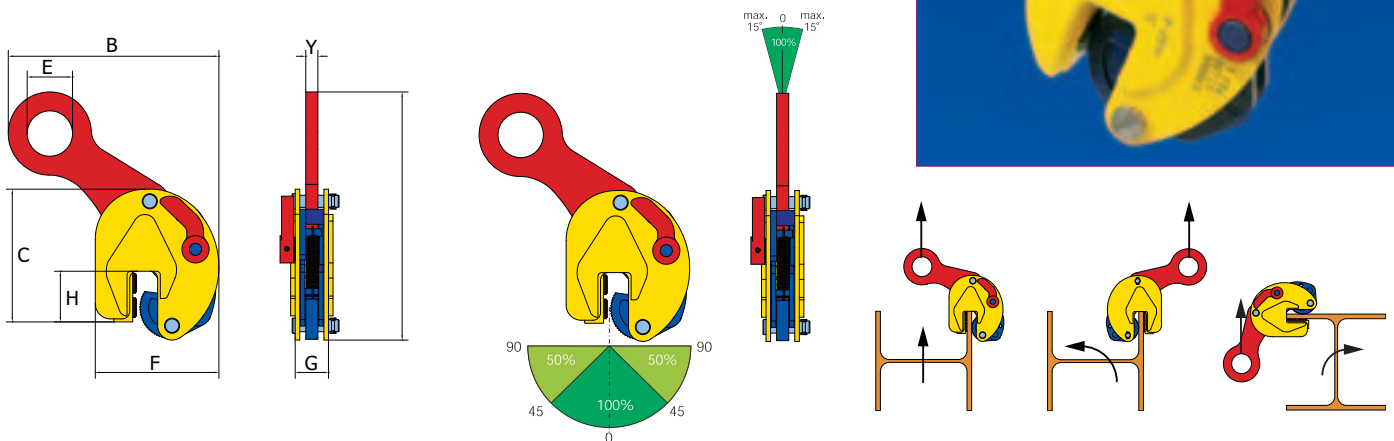


Ref. nr.	Type	Capacity (kg/pair)	Jaw-opening (R) (mm)	Dimensions in mm							Weight (kg/pc)
				A	B	C	D	E	F	G	
862810	1 TNMH	1000	0 - 25	154	140	65	15	95	20	15	2,5
862820	2 TNMH	2000	0 - 45	270	225	90	23	150	30,5	15	9
862830	3 TNMH	3000	0 - 45	275	225	90	28	150	30,5	15	13
862840	4 TNMH	4000	0 - 50	305	250	105	28	160	30,5	20	16
862860	6 TNMH	6000	0 - 50	310	250	120	33	160	30,5	20	17

## Vertical clamps

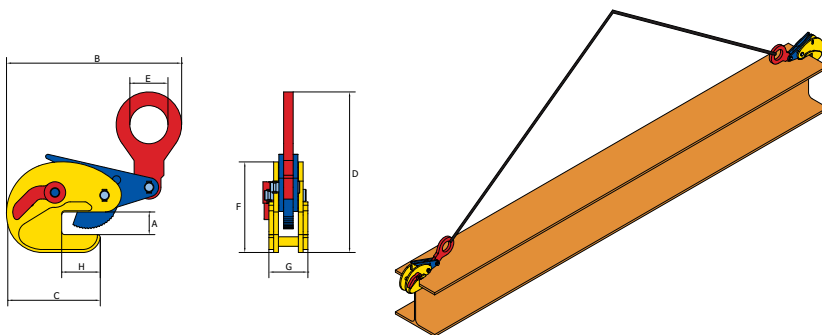
# FBK

- For lifting and transportation of steel beams, profiles and structures where the load must stay in position.
- The special shape of the lifting shackle, places the centre of the gravity of the beam to be lifted directly beneath the lifting shackle.
- This maintains the equilibrium of the beam once it has been lifted and keeps the flanges of the vertical so that the beam can easily be stacked or positioned.
- Especially recommended for transportation and stacking of steelbeams (e.g. when sawing of steelbeams, stacking of steelbeams and building of steel constructions).
- Lifting capacity and jaw-opening are clearly engraved in the body.



# TOBK

- For lifting and transportation of steel beams, profiles and structures .
- Because of the safety mechanism, the clamp is locked in closed as well as in open position.
- The clamp is suitable to lift steel beams on the flange as well as on the rear ends of the beam.
- Other capacity and jaw-opening on request.



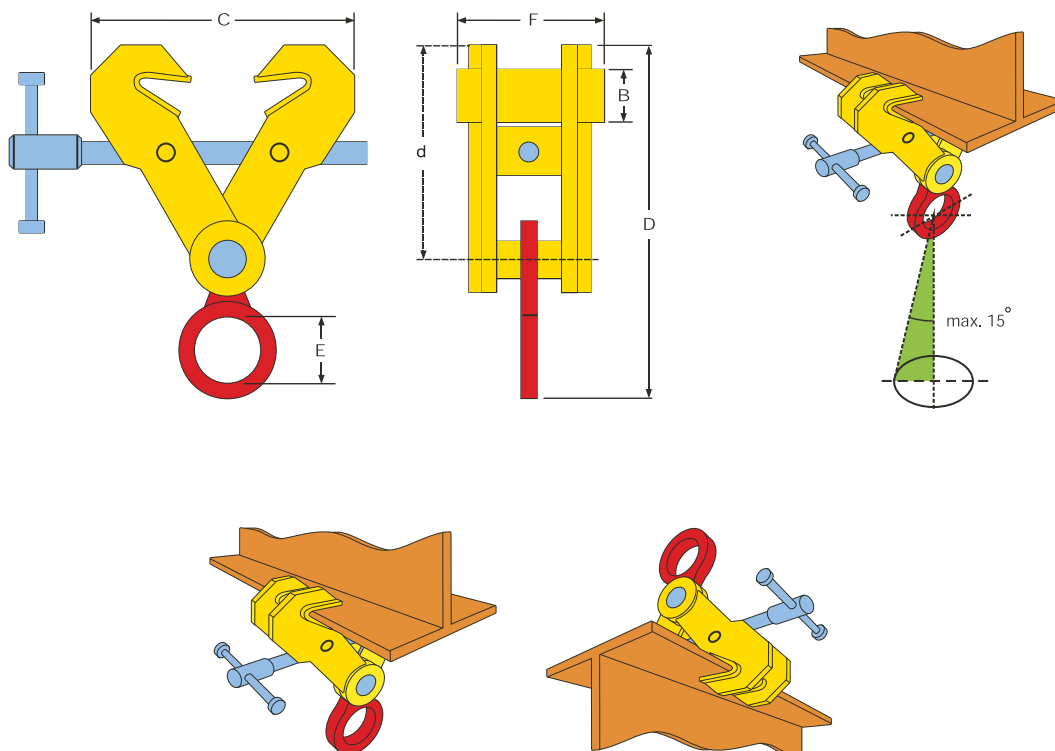
Ref. nr.	Type	Capacity (kg)	Jaw-opening (A) (mm)	Dimensions in mm								Weight (kg/pc)
				B	C	D	E	F	G	H	Y	
851010	1 FBK	1000	0 - 15	175	148	226	35	130	35	47	15	3
851000	1.5 FBK	1500	0 - 20	265	200	345	60	165	56	67	16	8
851100	3 FBK	3000	0 - 25	325	235	410	72	192	77	65	20	16
851001	2 TOBK	2000	3 - 20	285	157	295	64	155	67	65	17	9,5



## Screw clamps

# FSV/FSVW

- For lifting and transporting of steel beams and structures.
- Can also be attached upside down and be used as a (temporary) lifting point.
- Has equal opening and closing of both jaws for simple and quick assembly.
- Lifting capacity and jaw opening are clearly engraved in the body.
- Type FSVW is identical to type FSV but is delivered without a lifting eye so you can choose your own means of fixation.

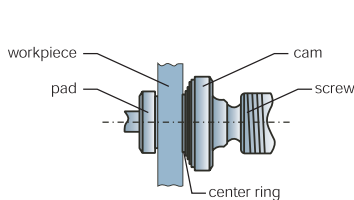


Ref. nr.	Type	Capacity (kg/pc)	Jaw-opening (R) (mm)	Dimensions in mm					Weight (kg/pc)
				B	C-max	D-max	E	F	
851400	1 FSV	1000	75-190	30	285	310	73	120	4
851500	2 FSV	2000	75-190	30	285	310	73	120	5
851600	3 FSV	3000	75-190	30	285	310	73	120	5
851700	4 FSV	4000	150-300	50	460	430	79	180	13
851800	5 FSV	5000	150-300	50	460	430	79	180	14
851110	10 FSV	10000	350-450	130	670	670	85	200	50
Ref. nr.	Type	Capacity (kg/pc)	Jaw-opening (R) (mm)	Dimensions in mm					Weight (kg/pc)
				B	C-max	d-max	E	F	
951000	1 FSVW	1000	75-190	30	285	150	73	120	3
951200	2 FSVW	2000	75-190	30	285	150	73	120	4
951300	3 FSVW	3000	75-190	30	285	150	73	120	4
951400	4 FSVW	4000	150-300	30	460	245	79	180	12
951500	5 FSVW	5000	150-300	30	460	245	79	180	12

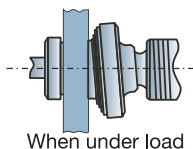
## Screw clamps

# TSCC

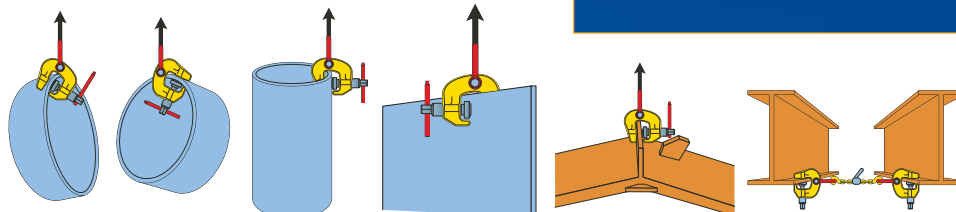
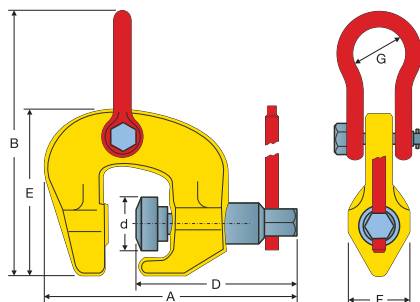
- Universal screw clamp for vertical and horizontal lifting and transporting of a large variety of steel structures.
- The TSCC screw clamp is fitted with a moveable cam on the thread spindle which provides a powerful clamping force on the workpiece.
- The articulated lifting eye ensures an effective clamping force in every position.



When under the initial tightening force



When under load



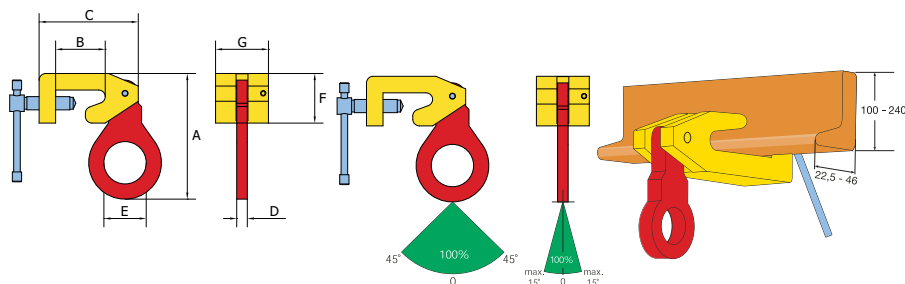
Ref. nr.	Type	Capacity (kg)	Jaw-opening (R) (mm)	Dimensions in mm							Weight (kg)
				A	B	D	d	E	F	G	
862705	0.5 TSCC	500	0 - 28	156	113	89	26	76	30	17	0,8
862700	0.75 TSCC*	750	0 - 22	167	201	120	42	125	46	38	3
862710	1 TSCC	1000	0 - 30	175	204	126	42	128	46	38	3,2
862715	1.5 TSCC	1500	0 - 32	187	229	135	42	143	46	45	4
862730	3 TSCC	3000	0 - 50	224	265	165	49	165	54	50	7
862760	6 TSCC	6000	0 - 75	291	365	215	63	214	69	80	18
862711	1 TSCC-W	1000	50 - 100	258	273	155	42	190	46	45	3,2
862731	3 TSCC-W	3000	25 - 75	250	291	165	49	191	54	50	7,8

\* While stocks last

## Screw clamps shipbuilding

# TBS

- For use as a temporary lifting point in any room where HP-profile is being used, such as sectional ship parts and ship engine rooms.
- The clamp is used for HP-100 to HP-240.

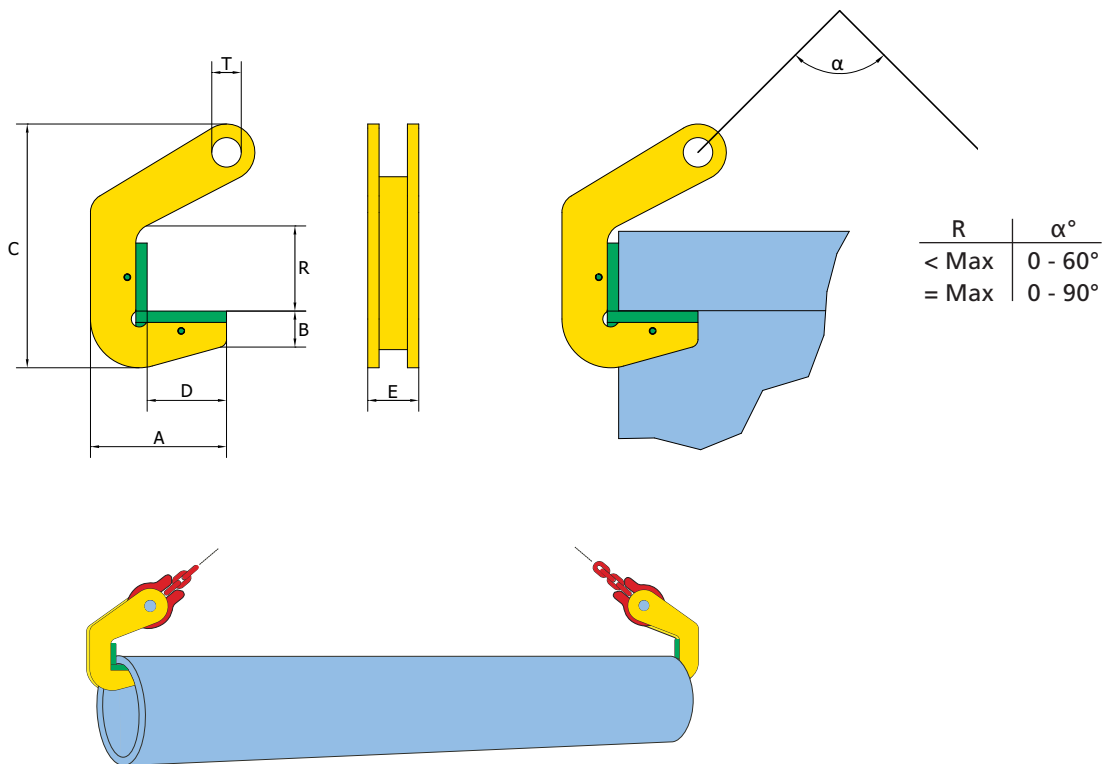


Ref. nr.	Type	Capacity (kg)	Jaw-opening	Dimensions in mm							Weight (kg/pc)
				A	B	C	D	E	F	G	
862150	1.5 TBS	1500	HP100-240	180	75	150	16	45	75	40	3
862400	3 TBS	3000	HP100-240	205	75	150	16	45	75	80	6,5

## Horizontal clamps

# TPH

- For horizontal lifting and transporting of steel and concrete pipes.
- Compact shape and relatively low own weight with a high lifting capacity.
- The surface is equipped with "special" plastic.
- The Terrier TPH will be delivered per pair.
- Plastic cover is easy to change.

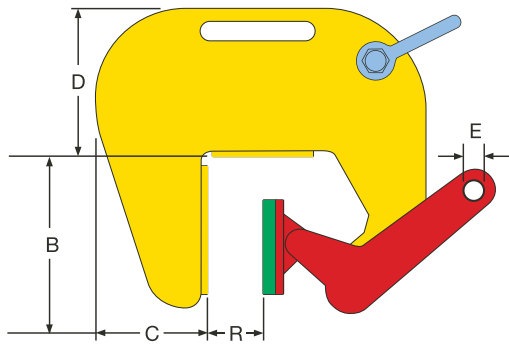


Ref. nr.	Type	Capacity (kg/pair)	Jaw-opening (R) (mm)	Dimensions in mm						Weight (kg/pc)
				A	B	C	D	E	T	
960150	1.5 TPH	1500	40	120	32	185	70	41	16	1,6
960300	3 TPH	3000	40	120	32	185	70	41	16	1,6
960400	4 TPH	4000	50	120	32	195	70	41	26	3
960600	6 TPH	6000	50	120	32	195	70	41	26	3
960800	8 TPH	8000	70	120	32	215	70	45	26	3,6
960810	10TPH	10000	70	120	32	215	70	85	26	5
960812	12TPH	12000	70	120	32	215	70	85	26	6
960815	15TPH	15000	70	120	32	215	70	100	26	10
960820	20TPH	20000	70	120	32	215	70	100	26	16

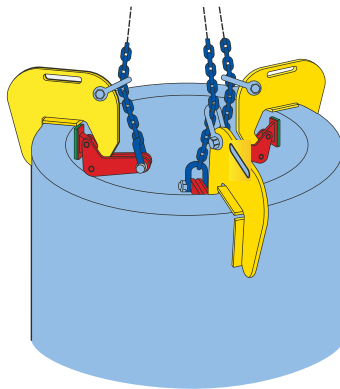
## Pipe lifting clamps

# TBC

- For vertical lifting and transporting of concrete pipe and wells.
- The TBC clamps must always be used in pairs or per three clamps.
- Higher capacities or other jaw opening upon request.
- The moveable side is fitted with a "special" high pressure plastic surface.

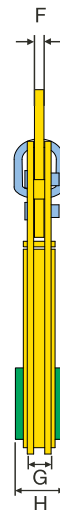
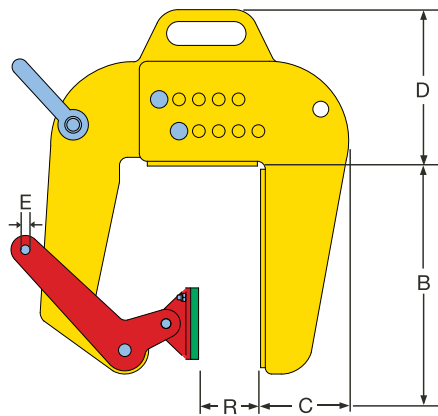


TBC



# TBCA

A min. 50 mm/max. 220 mm.  
Adjustable in steps of 25 mm.

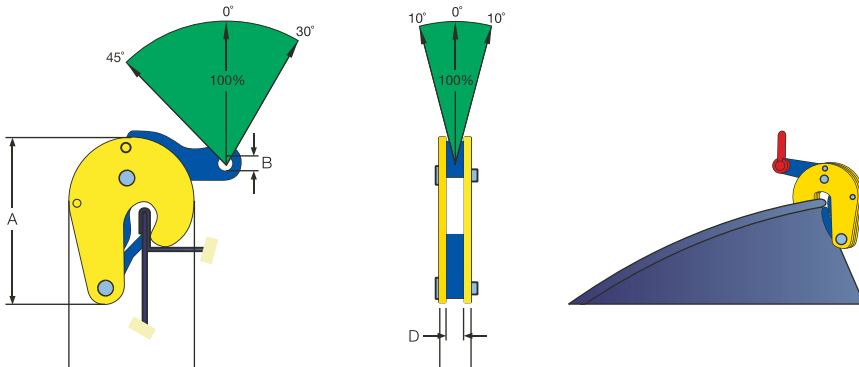


Ref. nr.	Type	Capacity (kg)	Jaw-opening (R)	Dimensions in mm							Weight (kg/pc)
				B	C	D	E	F	G	H	
870050	0.5 TBC	500	60-120	170	110	160	12	12	40	60	10
870101	1 TBC	1000	60-120	170	110	160	12	12	40	60	10
870105	1 TBC-A	1000	50-220	262	110	197	12	12	40	60	11

## Drum clamps

# TVK/TVKH

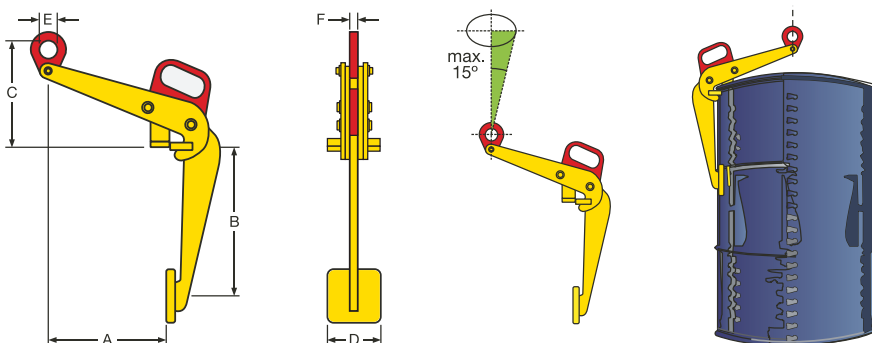
- For safe lifting and transporting of steel (oil) drums.
- With automatic locking mechanism.
- The TVK steel drum clamps are supplied with an original certificate.
- The TVK steel drum clamps can be used singly or per pair as well.



Ref. nr.	Type	Capacity (kg)	Jaw-opening	Dimensions in mm					Weight (kg)
				A	B	C	D	E	
828000	TVK	500	0 - 17	129	12	96	15	28	1,6

## TVKH

- For lifting, handling and transporting of (oil)drums, where the drums have to stay in a horizontal position.
- Capacity 0.6 tons.



Ref. nr.	Type	Capacity (kg)	Dimensions in mm						Weight (kg)
			A	B	C	D	E	F	
828100	TVKH	600	300	375	290	80	50	10	7

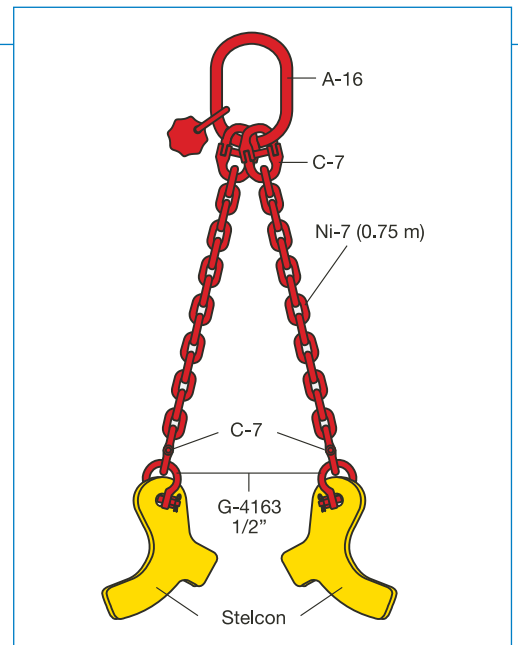
## Vertical clamps with an extra hardened pivot and cam

- Equipped with an extra hardened pivot and cam for lifting and transporting steel plates with a hardness of max. 50 HRC.  
(for Hardox 400 and 500)
- Can be delivered as TS, TSMP and TSU model.
- Please ask for special specifications.
- For dimensions and loading diagrams see page 5, page 6 and page 7.
- Other capacity and jaw-opening on request.



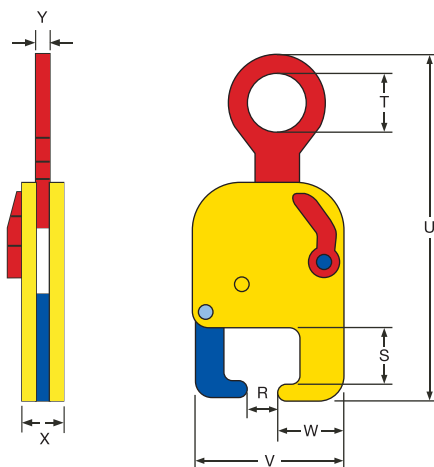
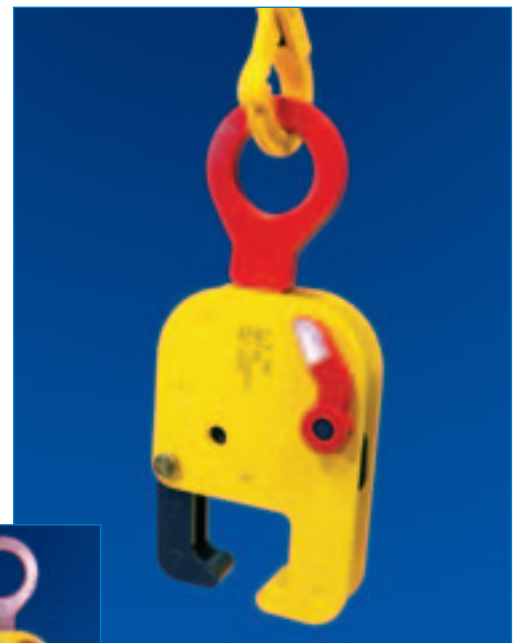
Ref. nr.	Type	Capacity (kg)	Jaw-opening (R) (mm)	Dimensions in mm							Weight (kg)
				S	T	U	V	W	X	Y	
850000.5	0.75 TS-H	750	0 - 13	47	30	205	100	35	37	10	1,5
850880.5	1 TSE-H	1000	0 - 25	55	45	265	142	38	47	15	3,6
850901.5	2 TSE-H	2000	0 - 35	80	65	335	185	55	56	17	6,5
850331.5	3 TSE-H	3000	0 - 35	80	65	335	185	55	56	17	6,7
850451.5	4.5 TSE-H	4500	0 - 45	85	70	430	230	60	77	20	15,9
850301.5	6 TS-H	6000	0 - 32	114	75	490	225	78	78	20	18,6
851501.5	7.5 TSE-H	7500	0 - 55	112	75	530	267	70	86	20	25
850010.5	0.75 TSMP-H	750	0 - 13	47	30	310	100	35	37	10	2
850818.5	1 TSEMP-H	1000	0 - 25	55	45	405	142	38	47	15	4,5
850911.5	2 TSEMP-H	2000	0 - 35	80	65	515	185	55	56	17	7,7
850221.5	3 TSEMP-H	3000	0 - 35	80	65	515	185	55	56	17	8
851401.5	4.5 TSEMP-H	4500	0 - 45	85	70	655	230	60	77	20	19,2
850311.5	6 TSMP-H	6000	0 - 32	114	75	760	225	78	78	20	22,8
851510.5	7.5 TSEMP-H	7500	0 - 55	112	75	800	267	70	86	20	30
855000.5	0.75 TSU-H	750	0 - 13	47	30	203	100	35	37	10	1,7
865800.5	1 TSEU-H	1000	0 - 25	55	50	295	142	38	47	14	3,9
855601.5	2 TSEU-H	2000	0 - 35	80	70	370	185	55	56	16	7,3
865331.5	3 TSEU-H	3000	0 - 35	80	70	370	185	55	56	16	7,5
865301.5	4.5 TSEU-H	4500	0 - 45	85	70	430	230	60	77	20	16,7
865401.5	6 TSU-H	6000	0 - 40	114	78	527	225	78	78	32	21
855400.5	7.5 TSEU-H	7500	0 - 55	112	78	565	267	70	86	32	26

# Stelcon platehooks



## TRC

- For horizontal transport of rail profiles.
- The TRC is equipped with a safety mechanism, ensuring the clamp does not slip when lifting force is applied and when load is being lowered.
- The clamp is locked in closed as well in open position.
- Other capacities or other profile dimensions on request.

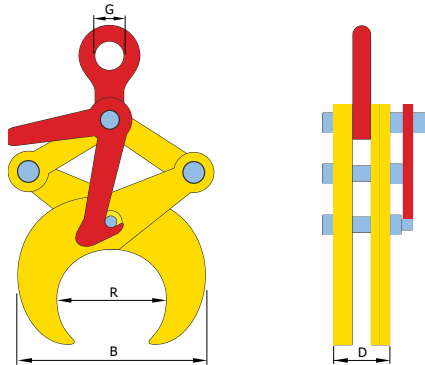


Ref. nr.	Type	Capacity (kg)	Jaw-opening (R)	Dimensions in mm							Weight (kg)
				S	T	U	V	W	X	Y	
815000	TRC	1500	40 - 75	64	65	390	170	70	48	16	8

## Specials

# TTL

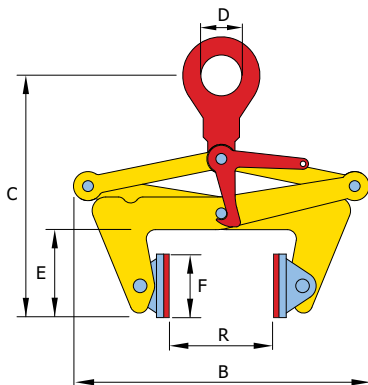
For vertical lifting of tubes, bundles of tubes and solid round material.



Ref. nr.	Type	Capacity (kg)	Jaw-opening (R) (mm)	Dimensions in mm			Weight (kg)
				B-max	D	G	
800550	0.5 TTL	500	48,3 - 114,3	215	47	45	4
801011	1 TTL	1000	114,3 - 219,1	345	51	45	9
802021	2 TTL	2000	219,1 - 368	610	60	65	31
803036	3 TTL	3000	368 - 508	770	60	65	40

# TBLC

- For vertical lifting and transporting without marking of products with parallel sides in various materials as steel, wood, plastic, concrete, marble etc.
- The clamp is locked in the open position. To perform lifting, the operator must activate the handle and hold it up while the force on the lifting eye is going upwards. When laying down the load, the clamp automatically locks itself open.
- De pads are covered with special plastic to avoid dammaging of the load.



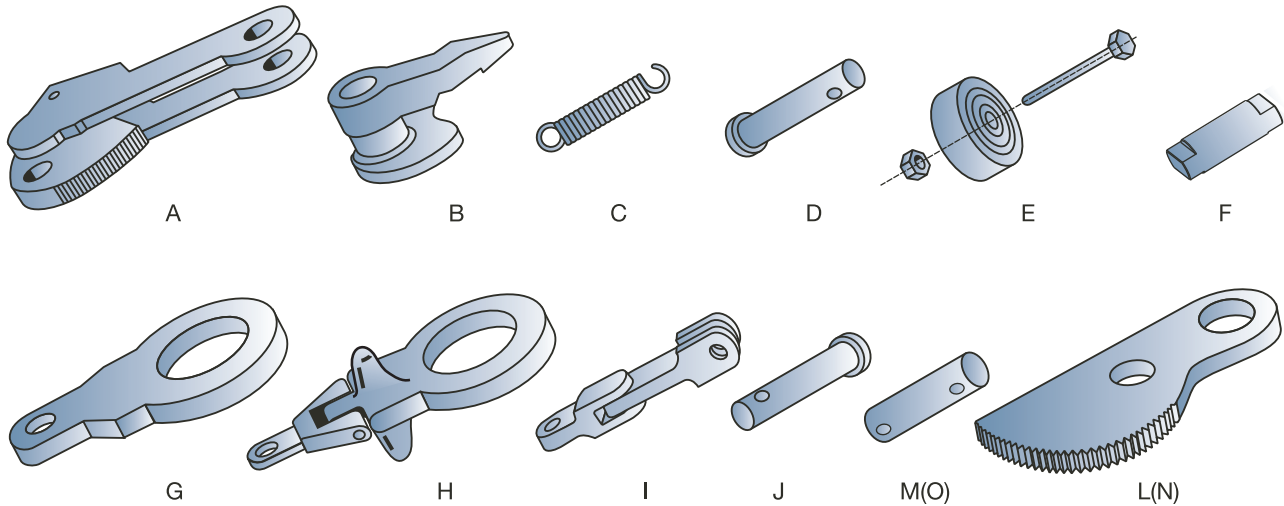
Ref. nr.	Type	Capacity (kg)	Jaw-opening (A) (mm)	Dimensions in mm					Weight (kg)
				B min-max	C min-max	D	E	F	
801005	0.5 TBLC	500	30 - 110	275 - 325	270 - 420	45	100	70* 80	7
801010	1 TBLC	1000	100 - 230	440 - 530	360 - 610	45	140	100*120	12
801020	2 TBLC	2000	220 - 360	600 - 675	400 - 680	45	170	100*120	18
801030	3 TBLC	3000	350 - 500	740 - 840	490 - 840	65	200	100*120	32



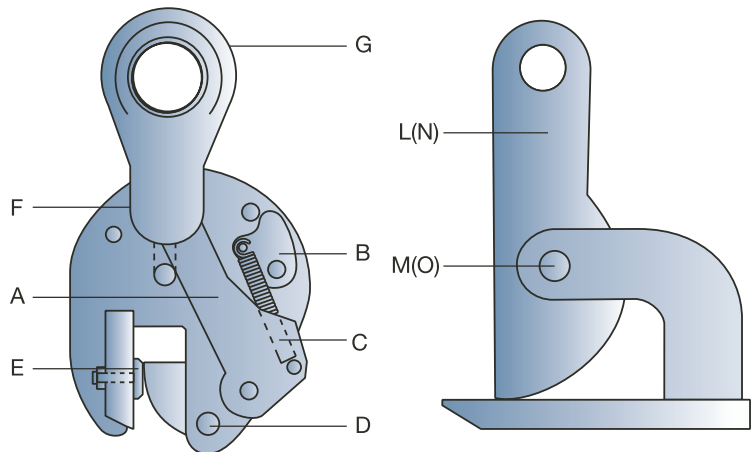
# Spare parts

All spare parts are available either separately or as repair sets. It is recommended when any parts are damaged to replace them straight away and not to take any risk.

When ordering spare parts always give: model, lifting capacity, jaw opening and serial number as well as the needed spare parts.



- A Cam assembly
- B Lock lever assembly
- C Lock spring
- D Cam pin
- E Pivot complete
- F Shackle pin
- G Lifting eye for TS, STS, MP model
- H Lifting eye for TSU, STEU model
- I Linkage arr. STMP, STSMP model
- J Link pin for MP model
- L Cam for FHX model
- M Cam pin for FHX model
- N Cam for FHSX model
- O Cam pin for FHSX model



For every vertical clamps are revision- sets and repairsets available.

The repair sets contain :

- A Cam assembly
- C Lock spring
- D Cam pin
- E Pivot set

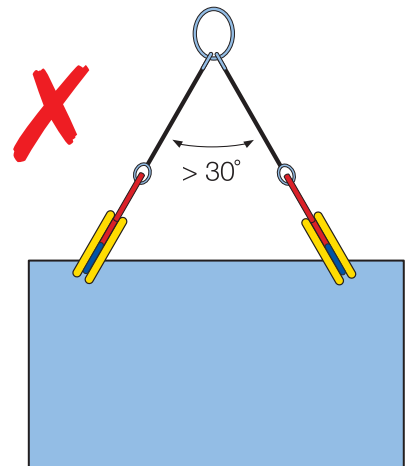
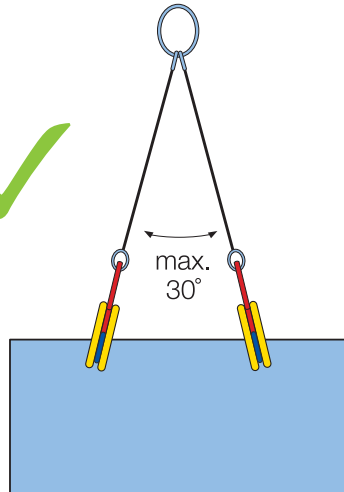
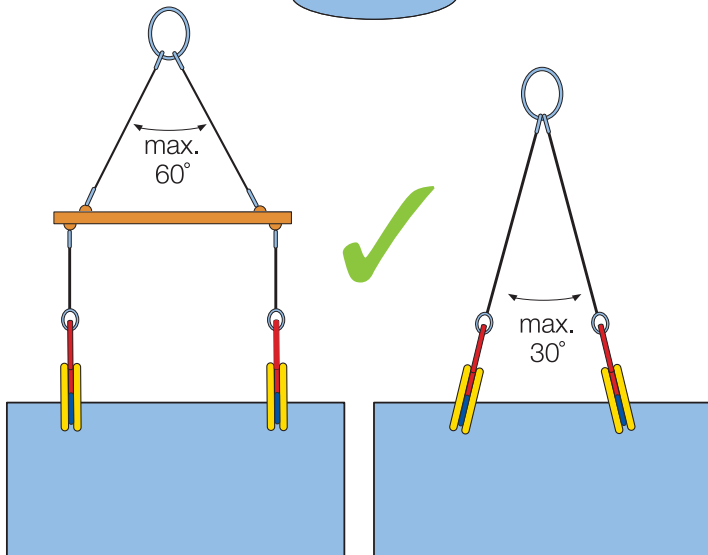
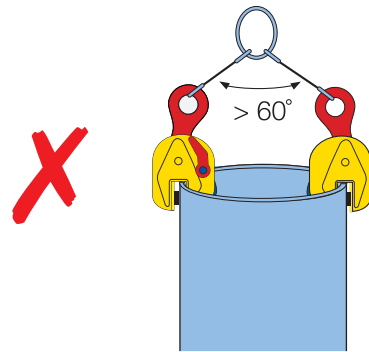
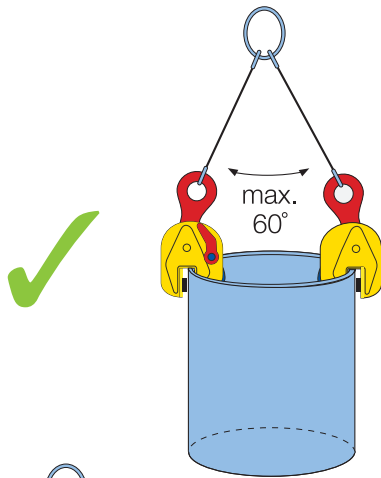
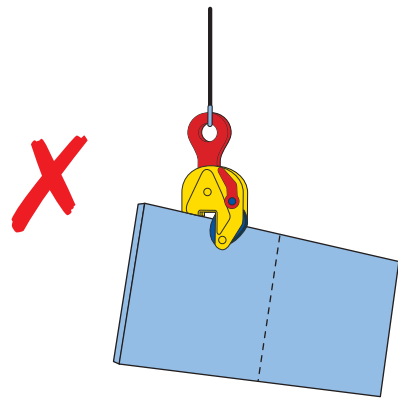
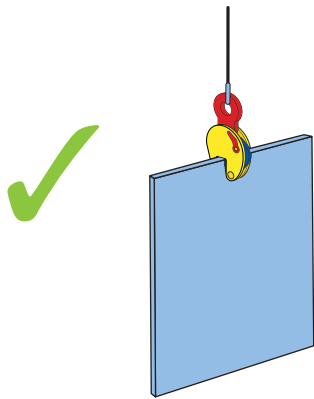
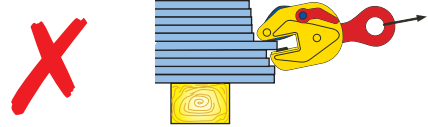
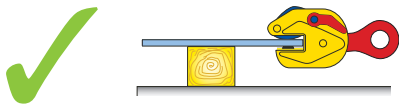
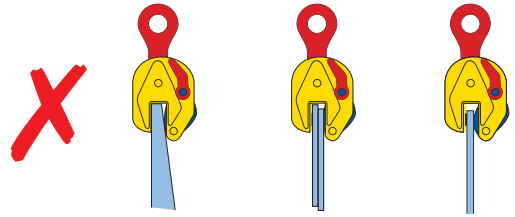
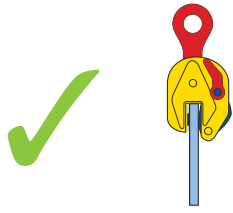
The revision sets contain :

- A Cam assembly
- B Lock lever assembly
- C Lock spring
- D Cam pin
- E Pivot complete

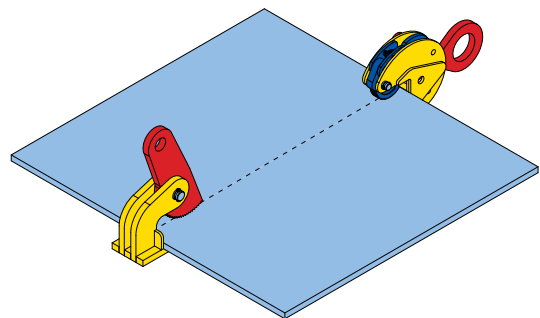
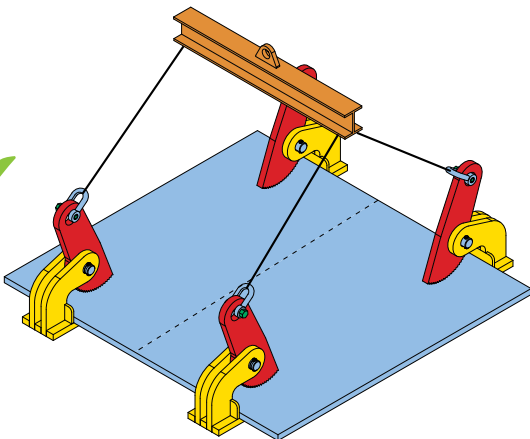
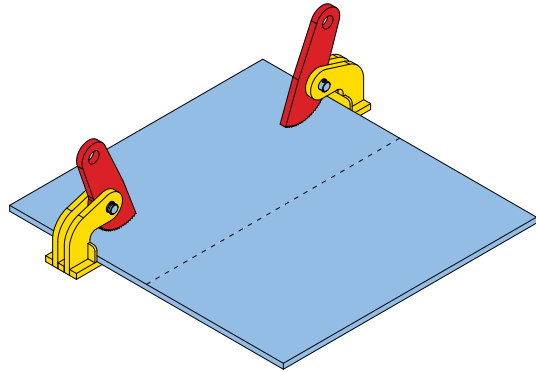
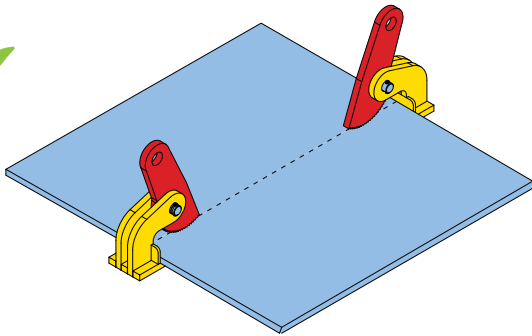
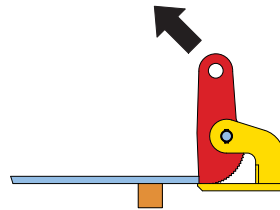
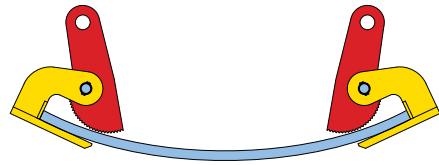
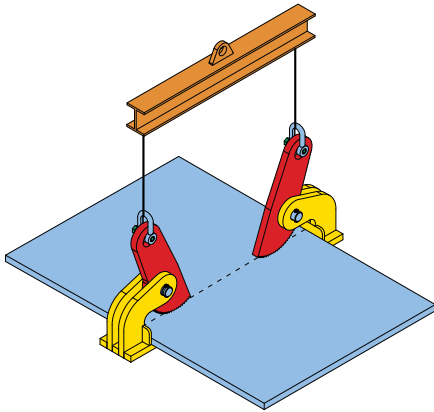


Revisionset

# Safely lifting vertical



# Safely lifting horizontal





[www.terrierclamps.com](http://www.terrierclamps.com)

